

## POE-PD05S

10/100/1000M/Multi Gigabit 802.3bt Class6 to DC12-24V PoE Splitter

EAN Code : 4712757150087

### Introduction

The **CERIO POE-PD05S** provides **Multi Gigabit Ethernet** capability and is backward compatible with 10/100/1000Mbps network standards. It supports **IEEE 802.3bt PoE++ / 802.3at PoE+ / 802.3af PoE** standards and provides PoE 44~57V Ethernet power and data input to separate to only DC/Power output and only Ethernet /Data output. **Supports DC output voltage 12V, 19V and 24V via DIP switch three range adjustable.**

### Highlight Features

- Complying with IEEE 802.3 10Base-T, IEEE 802.3u 100Base-TX, IEEE 802.3ab 1000Base-T, IEEE 802.3bz 2500/5000 BASE-T and IEEE 802.3bt PoE++, IEEE 802.3at PoE+ and 802.3af PoE standards.
- Supports **1 / 2.5 / 5Gbps Multi Gigabit Ethernet.**
- The **POE-PD05S** PD Splitter can use to connect non-PoE IEEE 802.3bt / 802.3at / 802.3af powered devices to PoE Switch or PoE injector.
- Supports Output Voltage hot switching for **12VDC, 19VDC, 24VDC three range adjustable.**
- When using Active or Passive PoE 60Watts or up as input, the maximum power output: DC24V/57.6 Watts, DC19V/49.4Watts, DC12V/34.8Watts output.
- Supports Ethernet PoE to separate to only DC/Power and only Ethernet/Data.
- Supports power reverse acute protection design, and auto restarts to protect possible short circuit, which can reduce the damage caused by the short circuit.
- LED indicators for Power function enable and DC output voltage display of 12V/19V/24V.
- Bundle accessories for inside diameter 2.1 mm (PHY) to 2.1 (PHY) mm DC cable.
- Supports desktop or wall mounting installation and multiple units combination for easy to bundles organize the Ethernet cables.



### Functionality

**CERIO POE-PD05S** supports an excellent design of hot-switching protection to prevent failures caused by overload, which can effectively prevent failures caused by instantaneous switching of different voltages. The equipment will not cause any damage when the voltage output is changed during operation. **It's more safe and convenient.** It provides DC 12V or 19V or 24V needs for any network or non-network equipment through DC to DC Cable which is included with package. Using the Cerio PoE Splitter, you can take advantage of Power Over Ethernet and place Multi Giga/Giga/Fast Ethernet-enabled products, such as Wireless Access Points, Network Cameras, and VoIP Phone where power outlets are not readily available.

### Long Distance Application

The PoE Splitter supports Multi Gigabit Ethernet PoE Powered Device. It's able to split the PoE signal into separate data and power sources up to total 100Meters (328 feet). The Multi Gigabit PoE suggest use a Cat 6 Ethernet cable to meet 100Meters PoE distance.

### ESD Protection

**CERIO POE-PD05S** supports ESD, Electro Static Discharge protection includes Over Voltage protection and Short Circuit Protection ensuring device safety.

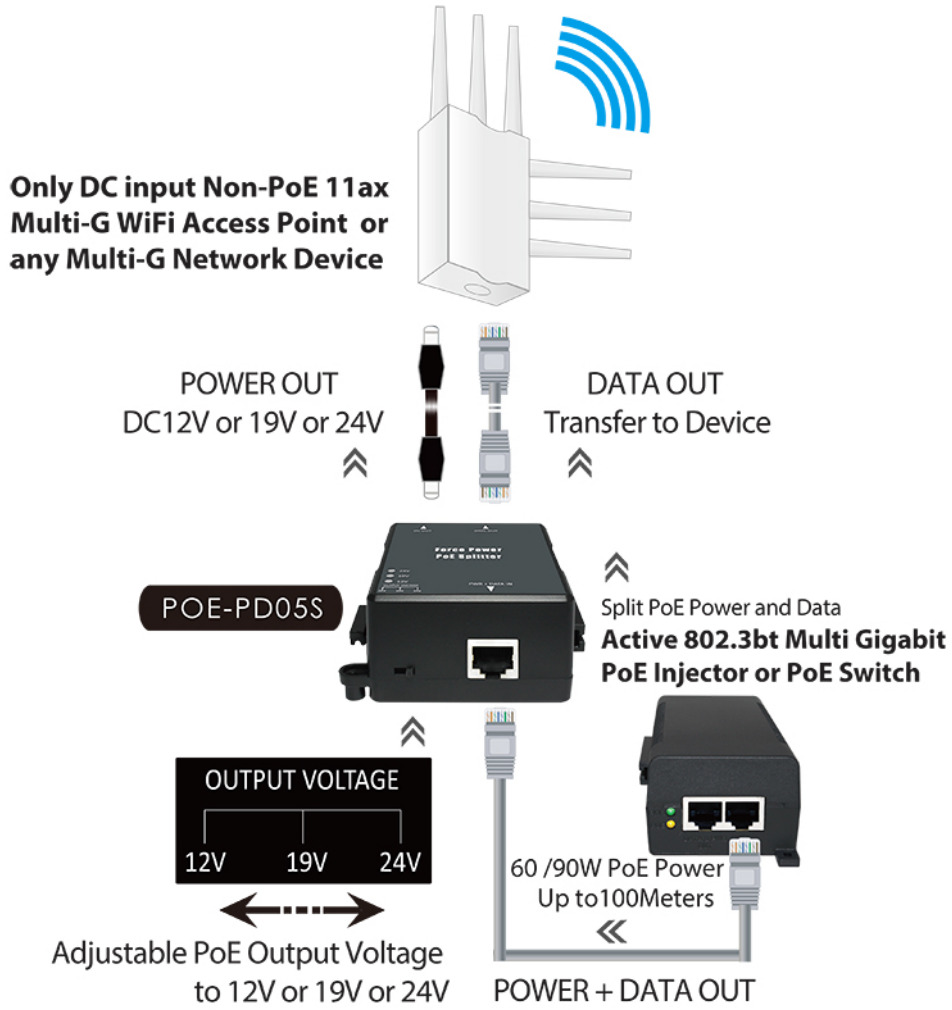
### Additional Benefits

Some additional benefits of Cerio PoE splitter include cost saving, small pocket size and convenience in network planning, and higher reliability.

### Easy installation

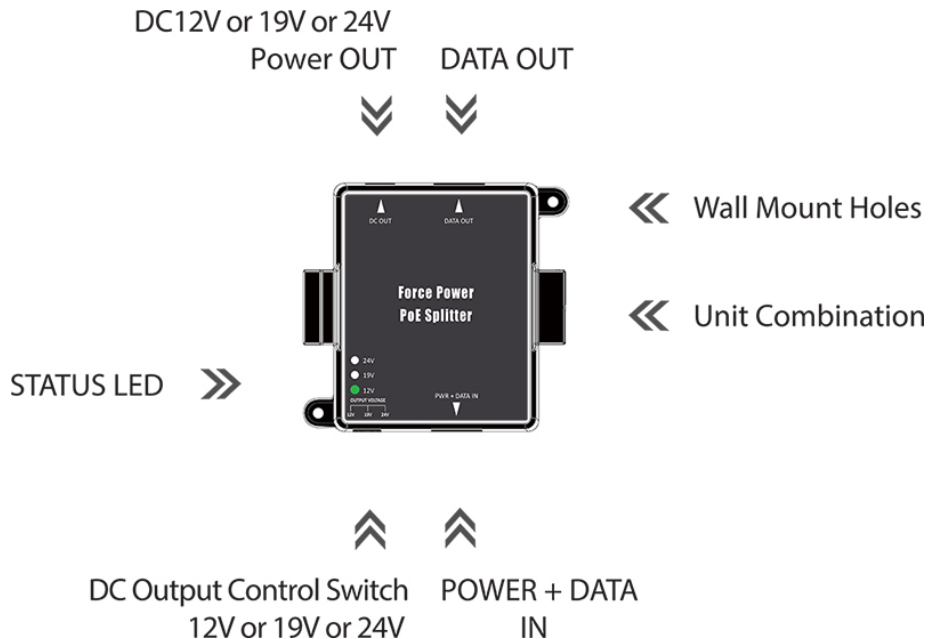
Simple Plug-and-Play, requires no configuration.

**Product Application**



**BT PoE Splitter for split Power & Data**

**Hardware Overview**



## Standards & Hardware Specifications

### Standard

IEEE 802.3 10BASE-T  
 IEEE 802.3u 100BASE-TX  
 IEEE 802.3ab 1000BASE-T  
 IEEE 802.3bz 2500/5000BASE-T  
 IEEE 802.3bt Power over Ethernet (PoE++)  
 IEEE 802.3at Power over Ethernet (PoE+)  
 IEEE 802.3af Power over Ethernet (PoE)

### Network Media

10BASE-T: UTP Cat. 3 or up  
 100BASE-TX : UTP Cat. 5 or up  
 1G/2.5G/5GBASE-T : UTP Cat.5e or up

### Data Transfer Rate

10M/100M/1G/2.5G/5G (Half-duplex),  
 20M/200M/2G/5G/10G (Full-duplex)

### Data PIN

PIN 1/2, 3/6 & 4/5, 7/8

### Power PIN

End-span (Type-A): PIN 1/2,3/6 ;  
 Mid-span (Type-B): PIN 4/5,7/8

### Data In

Connects PC/HUB/Switch

### Ethernet Connector

RJ-45 x1 for Power + Data input  
 RJ-45 x1 for Data output

### ESD Protection

ESD electrostatic discharge protection and load discharge anti-surge design

## Package Contents

### Contents

<b>POE-PD05S</b> Main Unit	x1
Inside diameter 2.1mm(PHY) to 2.1mm DC Cable	x1
Warranty Card	x1
Quick Installation Guide	x1

## Environmental & Mechanical Characteristics

### Max Power Output

DC24V/57.6Watts  
 DC19V/49.4Watts  
 DC12V/34.8Watts

### Power Interface (Output)

**DC-Jack** : Output to any none PoE 12V or 19V or 24V  
 DC in device

### Power Requirement

Active or Passive PoE 802.3bt/at/af Power Source

### PoE Input Voltage

44V~57V

### DC Output Control Range

12V/19V/24V three range adjustable by DIP switch

### DC Output Current

Max 12V/2.9A , 19V/2.6A , 24V/2.4A

### LED Indicators

DC Output LED x3 : 12V or 19V or 24V

### Operating Temperature

0° to 40° C

### Storage Temperature

-40° to 70° C

### Operating Humidity

10% to 90% non-condensing

### Storage Humidity

5% to 90% non-condensing

### Dimension ( W x D x H )

84.5 x 80 x 39.5mm

### Weight ( g )

105g

### Case of material

Plastic

### Production Location

TW

### Certifications

FCC ,CE, RoHs compatible